



## EX2210-T0

### AX1800 WiFi 6 Gigabit Ethernet Gateway

The Zyxel EX2210-T0 AX1800 WiFi 6 Gigabit Ethernet Gateway supports the latest dual-band wireless WiFi 6 (11ax) technology for optimized bandwidth utilization to increase network capacity and the number of simultaneous streams, which allow more subscribers to enjoy superior connectivity with extremely low latency.

-  WiFi 6 (11ax) 2x2+2x2 for superior performance and coverage
-  Zyxel-developed OPAL for superior flexibility and faster time to market
-  Multiple SSIDs for various service deployment scenarios
-  Remote management via TR-069/TR-181 i2
-  Eco-friendly compact design for lower carbon emission
-  Comprehensive QoS for enhanced triple-play experience

# Specifications

## System specifications

### Wireless standards

- IEEE 802.11 b/g/n/ax 2.4 GHz
- IEEE 802.11 a/n/ac/ax 5 GHz

### Wireless transfer rates

- Transmit:
  - 802.11ax (2.4 GHz): up to 574 Mbps\*
  - 802.11ax (5 GHz): up to 1200 Mbps\*

### WLAN features

- Auto channel selection
- WiFi Multimedia (WMM)
- Wireless scheduling
- Wireless output power management
- Multiple SSIDs up to 4
- WiFi Protected Setup (WPS)
- Intra-BSS traffic block
- MAC address filtering
- WPS 2.0
- WPA2-PSK

### Firewall

- IPv4/IPv6 firewall (Stateful Packet Inspection)
- Denial-of-Service (DoS) attack prevention
- ICMP blocking

### Routing

- IPv4/IPv6
- NAT
- Port forwarding
- WAN connection type: DHCP, PPPoE
- DHCP Option 60/121/125
- DHCP server on LAN
- IGMP v1/v2
- IGMP proxy
- Dynamic DNS

### VLAN

- 802.1q tag/tag based VLAN
- VLAN to ETH port mapping
- Bridged/routed VLAN support

### VPN pass-through

- PPTP
- L2TP
- IPSec

### Management

- Bandwidth Management QoS
- Web GUI (HTTP/HTTPS)
- TR-069/TR-098/TR-181

- SNMP v1/v2c & MIB II
- Firmware upgrade through GUI/TR-069
- 2-tier level access and administration
- Customized factory default

## Hardware specifications

### WAN

- One 1GbE RJ-45 port

### LAN

- Four 1GbE RJ-45 ports

### USB

- One USB 2.0 host

### LED indicators

- Power
- Ethernet WAN
- Internet
- WiFi 2.4G
- WiFi 5G
- WPS

### Buttons

- WPS
- Reset

## Power consumption

- 12 V DC, 1.5 A
- 18 Watt max

## Advanced software features

- OPAL
- IPv6

## Physical specifications

- Item dimensions (WxDxH): 248 x 43.3 x 230.9 mm (9.76" x 1.7" x 9.09")
- Item weight: 376.5 g (0.83 lb.)

## Environmental specifications

### Operating environment

- Temperature: 0°C to 40°C (32°F to 104°F)
- Humidity: 10% to 90% (Non-condensing)

### Storage environment

- Temperature: -30°C to 70°C (-22°F to 158°F)
- Humidity: 10% to 95% (Non-condensing)

## Certification

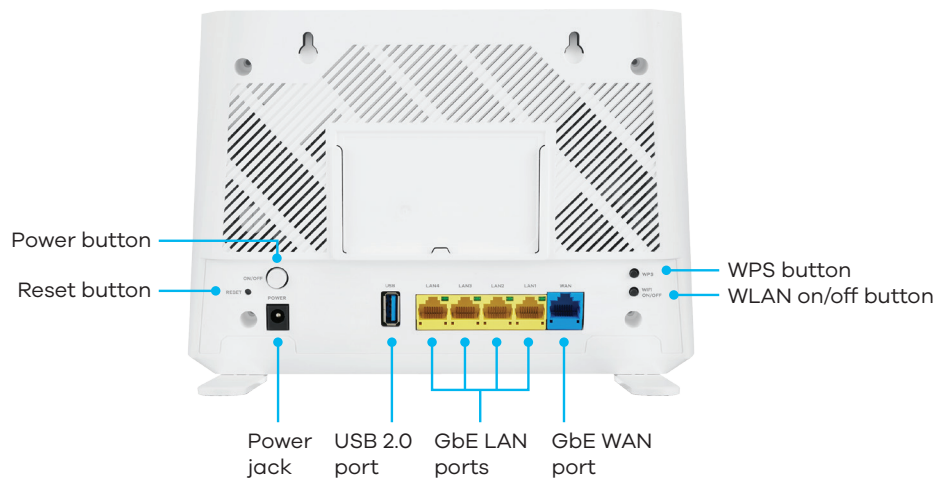
- FCC, IC

## Package contents

- Gigabit Ethernet gateway
- Power adapter
- Ethernet cable
- Quick Start Guide

\* The maximum wireless data transfer rate is derived from IEEE standard 802.11 specifications. Actual data transfer rate will vary from network environment including: distance, network traffic, building site materials/construction, interference from other wireless devices, and other adverse conditions.

## Hardware interface



For more product information, visit us on the web at <https://service-provider.zyxel.com>

Copyright © 2022 Zyxel and/or its affiliates. All rights reserved. All specifications are subject to change without notice.



07/09/22

Preliminary datasheet EX2210-T0